

Technical description.

The LBC5 fuse module is designed for power distribution in CCTV systems requiring the voltage in the range 10V ÷ 30V DC. It is equipped with two power inputs: screw connection and DC jack 5.5/2.1 and five AUX1 ÷ AUX5 power outputs independently protected with 1A polymer fuses. The module is equipped with J1÷J5 jumpers disconnecting the power supply at the AUX1 ÷ AUX5 outputs ("+" terminal). PTC fuse activation is indicated by switching off the corresponding LED of the module: L1 for AUX1, L2 for AUX2 etc. Additionally, the module's input is protected by a varistor, protecting the power supply against surges in the power supply system.

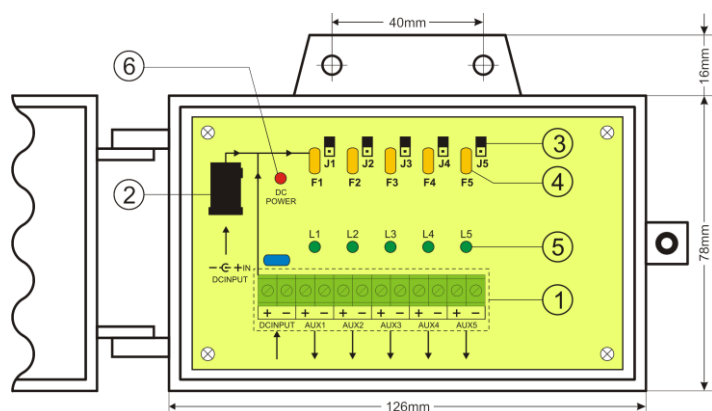


Fig.1. The scheme of the module.

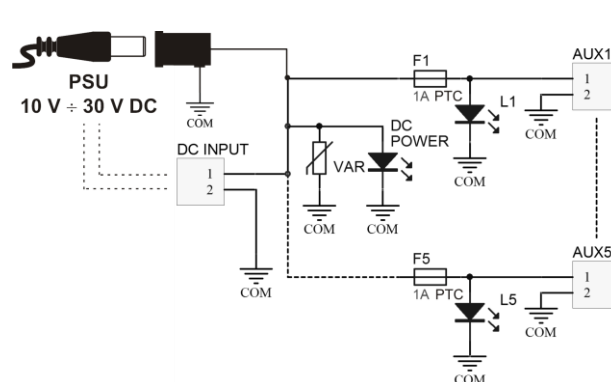


Fig.2. Block diagram.

Table 1. The description of components and module connectors.

Part no. [Fig. 2]	Description
①	Terminals: DC INPUT DC power input AUX1 ÷ AUX5 independently protected outputs, (common terminal „-“)
②	DC INPUT additional power input – DC jack 5,5/2,1
③	J1 ÷ J5 jumpers disconnecting the power („+“ terminal) at the AUX1 ÷ AUX5 outputs
④	F1 ÷ F5 fuses in the AUX (+) circuit
⑤	L1 ÷ L5 green LEDs
⑥	DC POWER red LED

* Using power supply unit with too low current efficiency may cause (in the case of a short-circuit at one of the outputs of the module) temporary power loss at other outputs.

Table 2. Technical parameters.

Supply voltage	10V ÷ 30V DC
Current consumption	5 mA ÷ 50 mA @ U _{IN} = 10V ÷ 30V DC
Number of power inputs	2: DC jack 5,5/2,1 or screw connection
Number of power outputs	5 (AUX terminals)
Protection types:	- short-circuit protection SCP* - overload protection OLP - surge protection
Optical indication	Red LED – DC supply voltage indicator Green L1 ÷ L5 LEDs – AUX1 ÷ AUX5 outputs status
Fuses F1 ÷ F5	5 x 1A PTC
Operation conditions	2nd environmental class, -10°C ÷ +40°C
Dimensions	W=150, H=94, D=42 (+/-2mm) W1=126, H1=78 (+/-2mm)
Mounting	Mounting screws x2 (Ø4mm holes)
Connectors:	- supply outputs - supply inputs
	- screw connection Ø0,51÷2,05 (AWG 24-12) - DC jack 5,5/2,1 - screw connection Ø0,51÷2,05 (AWG 24-12)
Net/gross weight	0,16kg / 0,23kg
Declarations, warranty	CE, 2 year from the production date

WEEE LABEL

Waste electrical and electronic equipment must not be disposed of with normal household waste. According to the European Union WEEE Directive, waste electrical and electronic equipment should be disposed of separately from normal household waste.

Pulsar

Siedlec 150, 32-744 Łapczyca, Poland
Phone (+48) 14-610-19-40, Fax (+48) 14-610-19-50
E-mail: biuro@pulsar.pl, sales@pulsar.pl
http:// www.pulsar.pl, www.zasilacze.pl